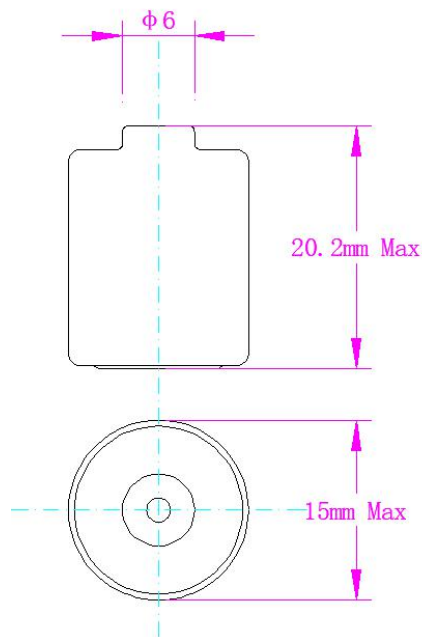


## Performance Data

Product system	Lithium Super-Capacitor
Nominal Capacity(3.67V)	180AS
Nominal Voltage	3.67V
Impedance	$\leq 200\text{m}\Omega$
Max. continuous discharge	500mA
Max. pluse current	2A
Max. charge current	100mA
Max. charge Voltage	4.0V
Discharge end voltage	2.5V
Operating temperature	- 40°C ~ +85°C
Weight	About 9g



## Dimension



### Caution:

- ❶ Do not charge LSC Above 4.0V
- ❶ Do not overcharge, over-discharge, short-circuit
- ❶ Do not heat above 100°C
- ❶ Do not overheat or dispose of LSC in fire.

Tel:(86)027-84858591/(86)18086604731  
 E-Mail:service@novell.com  
 Company website:<http://www.newcell.net.cn/>

