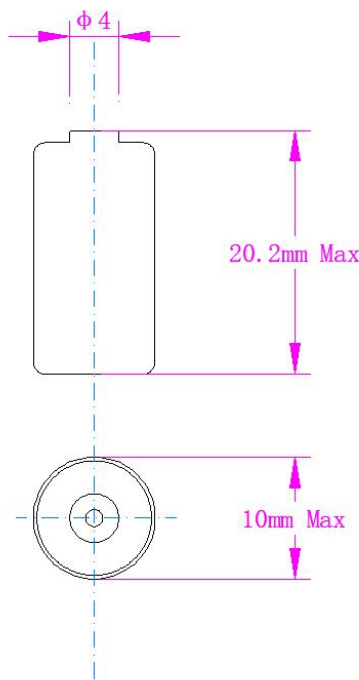


Performance Data

Product system	Lithium Super-Capacitor
Nominal Capacity(3.67V)	72AS
Nominal Voltage	3.67V
Impedance	$\leq 400\text{m}\Omega$
Max. continuous discharge	150mA
Max. pluse current	500mA
Max. charge current	40mA
Max. charge Voltage	4.0V
Discharge end voltage	2.5V
Operating temperature	-40°C ~ +85°C
Weight	About 5g



Dimension



Caution:

- ◆ Do not charge LSC Above 4.0V
- ◆ Do not overcharge, over-discharge, short-circuit
- ◆ Do not heat above 100°C
- ◆ Do not overheat or dispose of LSC in fire.

Tel:(86)027-84858591/(86)18086604731
 E-Mail:service@novell.com
 Company website:<http://www.newcell.net.cn/>

