

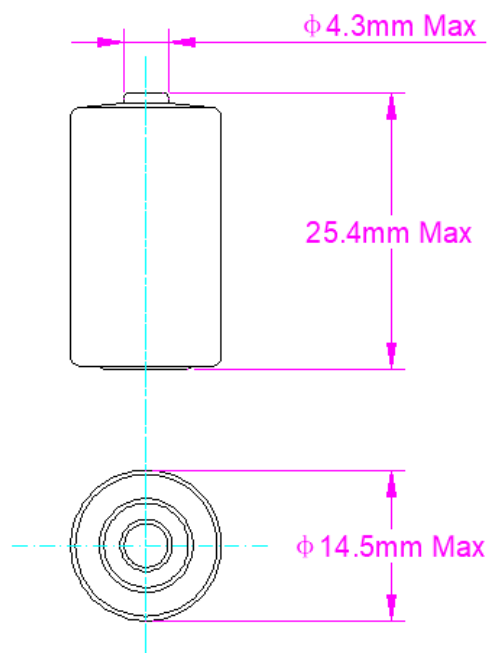
Performance Data

Product system	Lithium Super-Capacitor Cell
Nominal Capacity(3.67V)	216AS
Nominal Voltage	3.67V
Impedance	≤250mΩ
Max. continuous discharge current	800mA
Max. pulse current	2600mA
Max. charge current	60mA
Max. charge Voltage	4.0V
Discharge end voltage	2.5V
Operating temperature	- 40°C~+85°C
Weight	About 11g



Model: 1/2AA

Dimension



Caution:

- ◆ Do not charge LSC Above 4.0V
- ◆ Do not overcharge, over-discharge, short-circuit
- ◆ Do not heat above 100°C
- ◆ Do not overheat or dispose of LSC in fire.

Tel:(86)027-84858591/(86)18086604731
 E-Mail:service@novell.com
 Company website: <http://www.novecell.com>

