

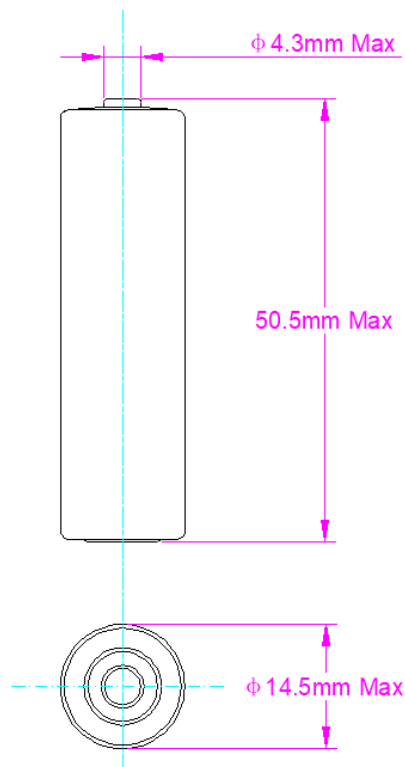
## Performance Data

Product system	Lithium Super-Capacitor Cell
Nominal Capacity(3.67V)	576AS
Nominal Voltage	3.67V
Impedance	≤150mΩ
Max. continuous discharge current	2000mA
Max. pluse current	4000mA
Max. charge current	160mA
Max. charge Voltage	4.0V
Discharge end voltage	2.5V
Operating temperature	- 40°C ~ +85°C
Weight	About 21g



Model: AA

## Dimension



### Caution:

- ◆ Do not charge LSC Above 4.0V
- ◆ Do not overcharge, over-discharge, short-circuit
- ◆ Do not heat above 100°C
- ◆ Do not overheat or dispose of LSC in fire.

Tel:(86)027-84858591/(86)18086604731  
 E-Mail:service@novell.com  
 Company website: <http://www.novecell.com>

